

MONT SELAS

INDUSTRIAL GAS ENGINEERS

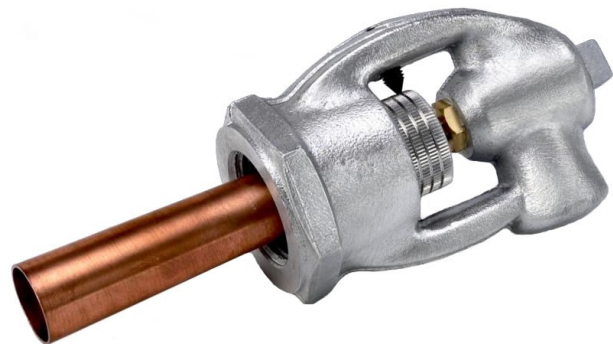
UNIT D2, BROOKSIDE BUSINESS PARK, GREENGATE, CHADDERTON, M24 1GS, ENGLAND

TELEPHONE : 0161-654 7700 FAX : 0161-655 3812

E-MAIL : SALES@MONTSELAS.CO.UK WWW.MONTSELAS.CO.UK

ATMOSPHERIC INJECTOR NATURAL DRAUGHT INJECTOR

- High efficiency natural draught injector.
- Designed for use with natural gas, town gas and LPG.
- Alternative gas inlet positions



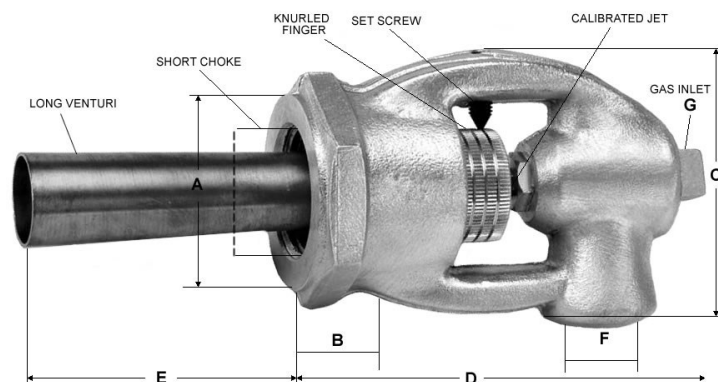
APPLICATIONS

Suitable for use with all natural draught burners, it is particularly suitable for use with bar and ring burners. It is also recommended for air heaters, baking ovens, drying ovens, soft Metal melting furnaces and numerous other low temperature applications using an open firing burner nozzle.

SPECIFICATION

Cast aluminium body with calibrated jets and either short or long choke/venturi dependant on application. Accurate regulation of the primary air is provided by fine adjustment of the venturi or choke which is locked with a grub screw when setting complete.

illustration shows injector with long venture fitted.



A	B	C	D	E	F&G	NOMINAL RATING	
BSP							
INCH	MM	MM	MM	MM	INCH	kw	BTU/hr
3/4"	17	68	106	65	3/8"	3.8	13,000
1"	17	68	106	76	3/8"	6.15	21,000
1 1/4"	19	85	131	102	1/2"	10.1	34,500
1 1/2"	19	85	152	127	3/4"	17.3	59,000
2"	24	117	214	171	1"	27.25	93,000